

Johnny Ray

Patented Swivel Mounts, Transducer Mounting Brackets
and Accessory Wiring Terminals

New Ideas For Better Fishing Since 1977



Visit Us Online at www.johnnyraysports.com





Patented Swivel Mounts

Our Patented Swivel Mounts feature simple, one-handed operation to adjust your viewing angle. And they securely hold your unit in place, no matter what the boating condition is. No clumsy knobs to tighten, or multiple joints to move. Plus they keep your Electronic Unit close to the boat, not out on a limb where vibration and rough water can make viewing your unit virtually impossible.

Seven different models are available, covering three basic size ranges depending on your Electronics weight and gimbal hole pattern. All are injection molded from DuPont 6/6 Nylon material and assembled with stainless steel springs and screws.

Every Model features a fully rotational Swivel Top that automatically locks in it's turned position, and can be removed by using it's Patented Top Removal feature to allow for storage of your valuable unit.



JR-300, JR-400 and JR-500 Specific Features:

- 45 Position Automatically Locking Swivel Top
- Push Button Top Removal Mechanism
- Low Profile Design - Only 1 1/4" Tall
- Supports weights up to 7 pounds

JR-203 and JR-204 Specific Features:

- 30 Position Automatically Locking Swivel Top
- Snap On/Off Top Removal Mechanism
- Supports Up To 10 pounds Mounted Upright and 7 pounds mounted upside down

JR-205 and JR-206 Specific Features:

- 24 Position Automatically Locking Swivel Top
- Lever Release Top Removal Mechanism
- Heavy Duty Design for Larger Electronics
- Supports Up To 14 Pounds



Swivel Mount Adapter Plates

With Today's Electronics becoming smaller and more powerful, you need a Swivel Mount with a smaller pattern that will add even more features and convenience to your unit. Our JR-400AP Adapter Plates are just the answer. Every Adapter Plate is Injection Molded from the same DuPont 6/6 Nylon material as our Swivel Mounts and come with all of the correct size Zinc plated hardware. for mounting everything together. JR-400 Adapter Plates are used specifically for the JR-400 Swivel Mount only.

Current Applications Include Models Like The Following: (Models may change due to new releases)

- Computrol / Bottom Line:** Tournament 1101 and 2100
- Lowrance:** Models X37TX, X47TX, X47, X67C, M56S/Map, M68S/Map, M68C S/Map
- Eagle:** Cuda 128, Cuda 168, Cuda 240i S/GPS, Cuda 240 S/GPS, FishEasy 240, FishEasy 320C



Shown at Left: JR-400AP shown in Actual Application
Shown At Right: JR-400AP with Electronic Supplied Gimbal Mounts and JR-400 Swivel (sold separately)

Check Out Our Online Swivel Mount Cross-Reference

For Matching Today's Electronics with the Correct Johnny Ray Swivel Mount.

Hundreds of Models Listed !! Find Yours Today !!





Transducer Mounting Brackets

Johnny Ray Transducer Mounting Brackets were designed to provide a solid, secure, and easy way to mount the transducer of your favorite Electronic Unit to the shaft of your trolling motor.

Our Brackets offset your Transducer to the side of the motor to protect it from damage, not below the motor where the Transducer becomes the first item to get damaged. They also allow for easy cone angle adjustments which make your Electronic Unit perform at it's full potential.

You can even use our Bracket's ability to convert any conventional Electronic Unit to a Side-scanning unit by turning the transducer 90 degrees to the lake bottom.

All components are die-formed from .093 thick Aircraft Grade aluminum, anodized to eliminate electrical interference, and includes zinc plated mounting hardware. They will accept a wide variety of high speed Transducers, both past and present.

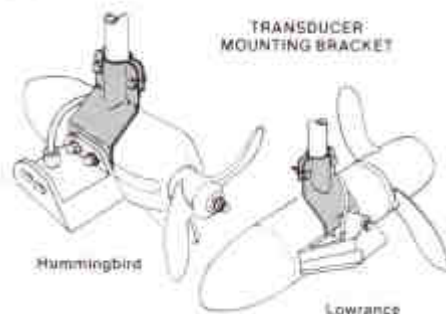
Two Models to Choose From:

JR-1 - Fits 1 Inch Diameter

Shafts - MotorGuide, Evinrude, Johnson, OMC

JR-2 - Fits 1 1/8 Inch

Diameter Shafts - Minn Kota



Accessory Wiring Terminals

Johnny Ray Battery Terminals were developed to simplify the battery compartment of your boat, RV, or any other 12 volt battery application where multiple accessory wiring is needed.

Perfect for wiring in today's on-board battery charging systems. Never loose your correct connection again. Simply remove the Accessory Wiring Terminals from your battery and all of your connections stay secure, solid, and tangle free.

Their compact size allows them to be used under virtually any battery enclosure without interference. Each die-formed contact plate has been designed to accept the correct battery post stud on deep cycle or marine cranking batteries. Every Terminal is supplied with four each #12-10 ga. and #16-14 ga. wiring connectors secured to the contact plate with stainless steel screws.

Standard features for each model include:

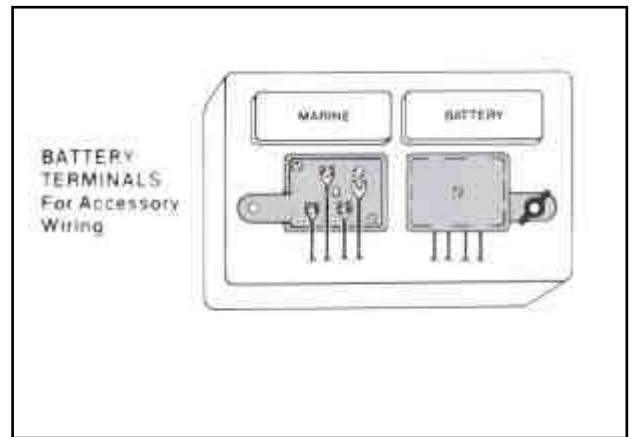
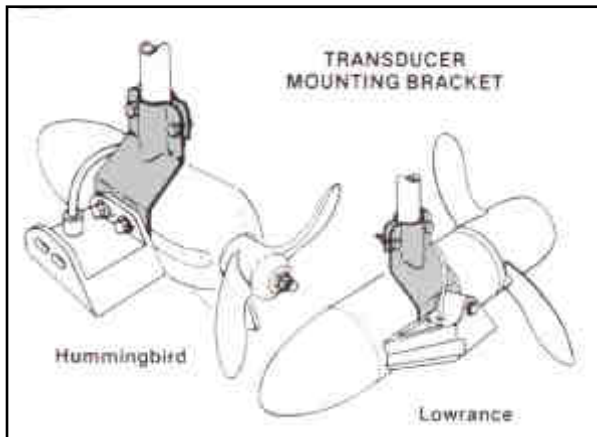
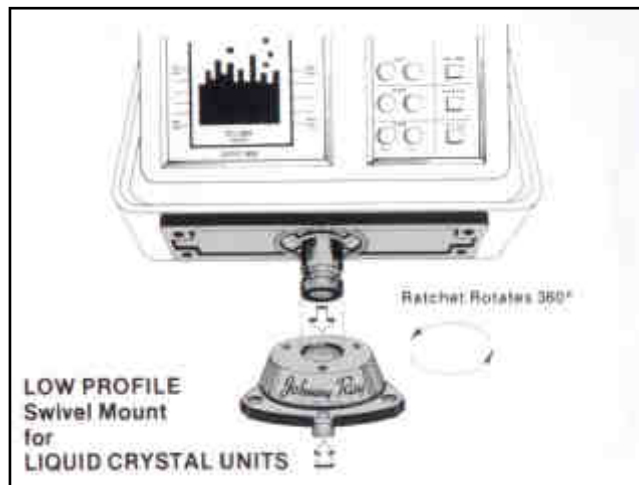
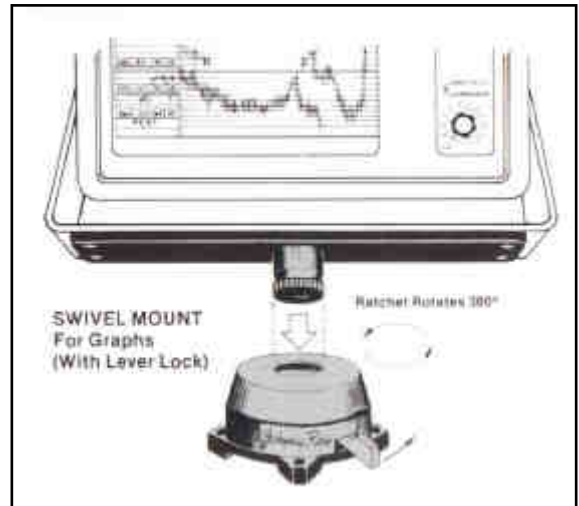
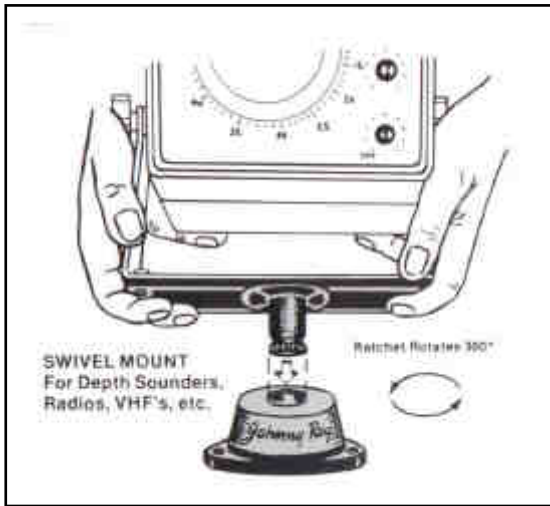
- High Density Injection Molded Polyethylene Outer Cases
- .090" thick (11 gauge) Contact Plates to minimize current resistance.
- Color coded casing to ensure proper polarity retention.

Two models to choose from:

JR-600 - Freshwater applications - Zinc Plated Steel Contact Plate.

JR-600B - Outstanding protection in Saltwater or Freshwater. - Pure Brass Contact Plate.





Johnny Ray, LLC

P.O. Box 1608 Gadsden, Alabama 35902

www.johnnyraysports.com

E-Mail -customerservice@johnnyraysports.com

Phone; 256-442-5053 Fax: 256-442-6560